

# RUNNERS HOOK CATALOGUE

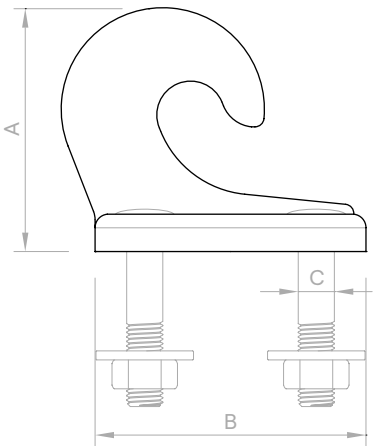
Racing and Cruising Schooners



Timeless winches & fittings

# ABSOLUTE

# RUNNERS HOOK



Materials: bronze (CuAl10Fe5Ni5);

Finishes: polished bronze or chrome plated;

Part number	Line Max. Ø mm	A mm	B mm	C* M
T001	30	108	120×120	M16 (x4)

These are all approximate measurements.  
 \* The fixing bolts are not included, they can be supplied if requested.

Note: Images shown are indicative only.

# ABSOLUTE

Visit us at [www.absolute-projects.com](http://www.absolute-projects.com)  
contact@absolute-projects.com | 2021