

TURNBUCKLES CATALOGUE

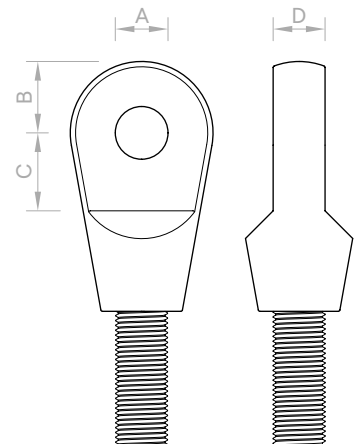
Racing and Cruising Schooners



Timeless winches & fittings

ABSOLUTE

EYE & EYE



Materials: bronze (CuAl10Fe5Ni5) and stainless steel (316);

Finishes: polished bronze or chrome plated;

Part number	A* Ø mm	B mm	C mm	D mm	Thread M	Length*2 open - closed mm	Breaking strength kg
G002	16,5	22	24	16	M16 x 1,5	450 - 350	10000
G003	19,5	26	28	19	M19 x 2,0	535 - 415	16000

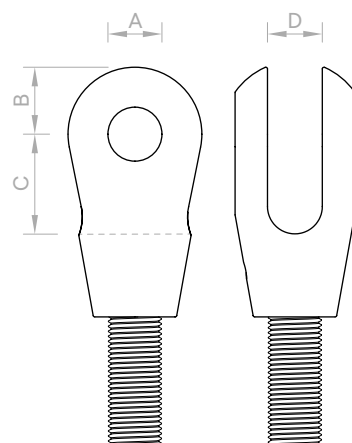
These are approximate measurements.

* Pins are not included, they can be supplied as a special request.

*2 Turnbuckles can be supplied with custom lengths (body or eye/jaw rods) as a special request.

Note: Images shown are indicative only.

JAW & JAW



Materials: bronze (CuAl10Fe5Ni5) and stainless steel (316);

Finishes: polished bronze or chrome plated;

Part number	A Ø mm	B mm	C mm	D mm	Thread M	Length* open - closed mm	Breaking strength kg
G005	16,5	20	33	16,5	M16 x 1,5	450 - 350	10000
G006	19,5	24	36	19,5	M19 x 2,0	535 - 415	16000

These are approximate measurements.

* Turnbuckles can be supplied with custom lengths (body or eye/jaw rods) as a special request.

Note: Images shown are indicative only.

EYE & JAW



Materials: bronze (CuAl10Fe5Ni5) and stainless steel (316);

Finishes: polished bronze or chrome plated;

Part number	Thread M	Length* open - closed mm	Breaking strength kg
G008	M16 x 1,5	450 - 350	10000
G009	M19 x 2,0	535 - 415	16000

These are approximate measurements.
 Only one pin is included, more can be supplied as a special request.
 * Turnbuckles can be supplied with custom lengths (body or eye/jaw rods) as a special request.

Note: Images shown are indicative only.

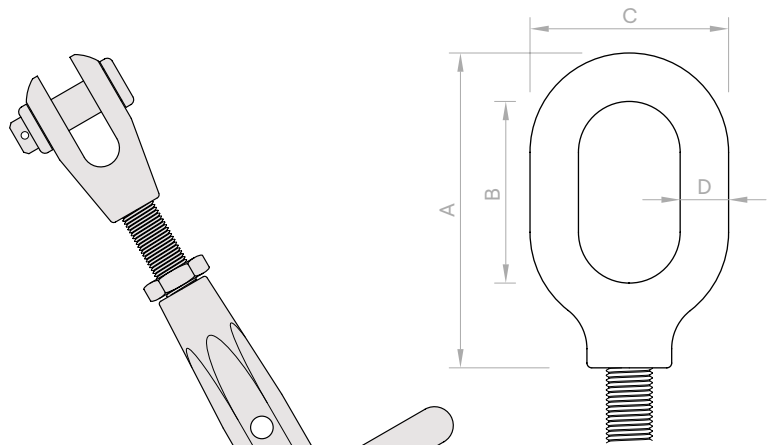
BIG EYE



Normally used for preventers.

Materials: bronze (CuAl10Fe5Ni5) and stainless steel (316);

Finishes: polished bronze or chrome plated;

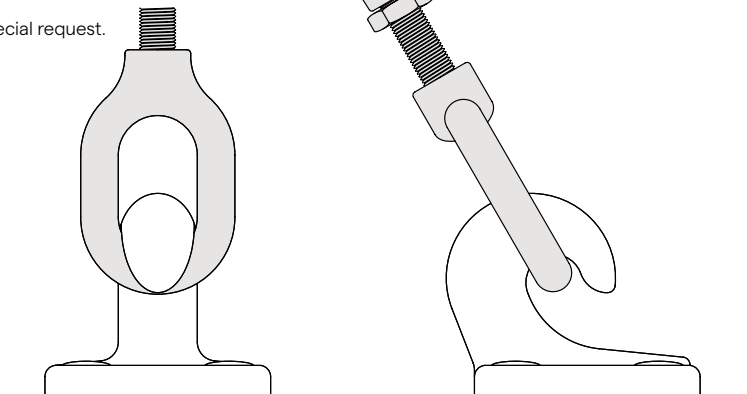


Part number	A Ø mm	B mm	C mm	D mm	Thread M	Length* open - closed mm	Breaking strength kg
G010	130	75	82	20	M19 x 2.0	535 - 415	16000

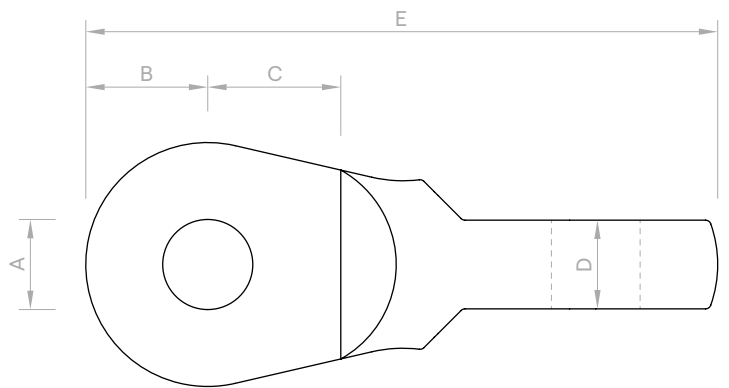
These are approximate measurements.

* Turnbuckles can be supplied with custom lengths (body or eye/jaw rods) as a special request.

Note: Images shown are indicative only.



TOGGLE EYE & EYE



Materials: bronze (CuAl10Fe5Ni5);

Finishes: polished bronze or chrome plated;

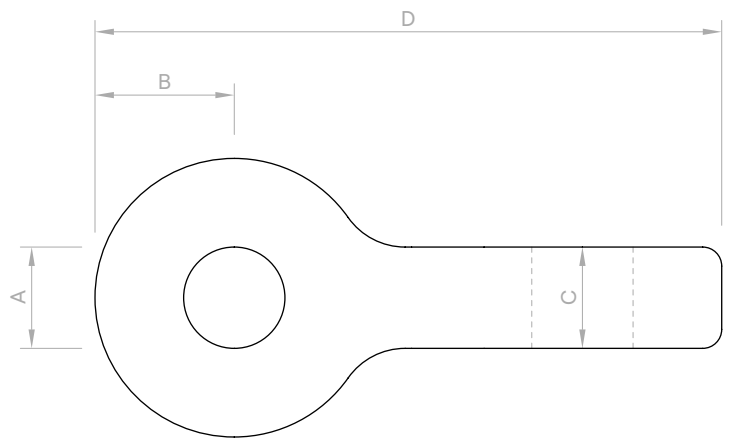
Part number	A* Ø mm	B mm	C mm	D mm	E mm
G012	16,5	22	24	16	114
G013	19,5	26	28	19	125

These are approximate measurements.

* Pins are not included, they can be supplied as a special request.

Note: Images shown are indicative only.

TOGGLE EYE & EYE



Materials: bronze (CuAl10Fe5Ni5);

Finishes: polished bronze or chrome plated;

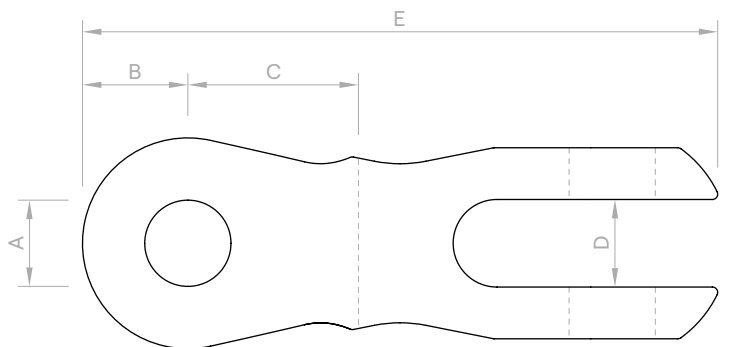
Part number	A mm	B mm	C mm	D mm
G015	16,5	22	16	98
G016	19,5	26	19	116

These are approximate measurements.

* Pins are not included, they can be supplied as a special request.

Note: Images shown are indicative only.

TOGGLE JAW & JAW



Materials: bronze (CuAl10Fe5Ni5);

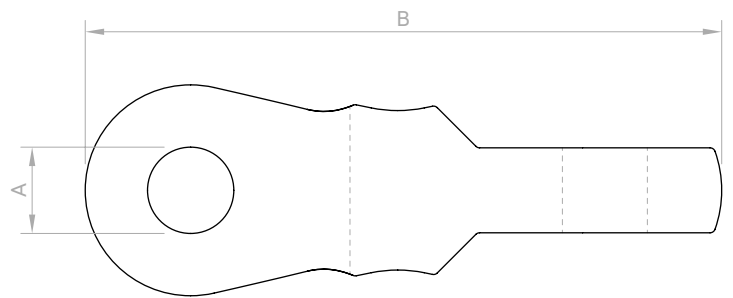
Finishes: polished bronze or chrome plated;

Part number	A mm	B mm	C mm	D mm	E mm
G018	16,5	20	33	16,5	120
G019	19,5	24	36	19,5	137

These are approximate measurements.

Note: Images shown are indicative only.

TOGGLE EYE & JAW



Materials: bronze (CuAl10Fe5Ni5);

Finishes: polished bronze or chrome plated;

Part number	A* mm	B mm
G021	16,5	120
G022	19,5	140

These are approximate measurements.

* Only one pin is included, more can be supplied as a special request.

Note: Images shown are indicative only.

WHEEL



Materials: bronze (CuSn5Pb5Zn5);

Finishes: polished bronze or chrome plated;

Part number	Suitable for models thread (parts number)	External Ø mm
G024	M16 (G002, G005, G008)	145
G025	M19 (G003, G006, G009)	168

These are approximate measurements.

Note: Images shown are indicative only.

ABSOLUTE

Visit us at www.absolute-projects.com
contact@absolute-projects.com | 2021