

FLAG POLE SOCKETS CATALOGUE

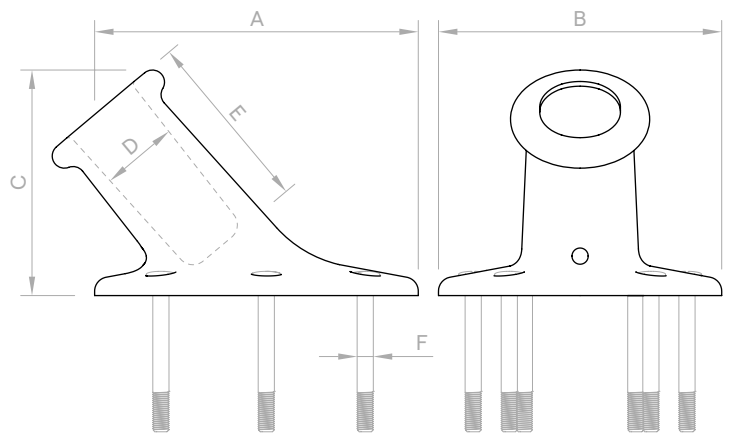
Ocean Racers, Cruising and Metre Class Yachts



Timeless winches & fittings

ABSOLUTE

40MM SOCKET



Materials: bronze (CuSn5Pb5Zn5);

Finishes: polished bronze or chrome plated;

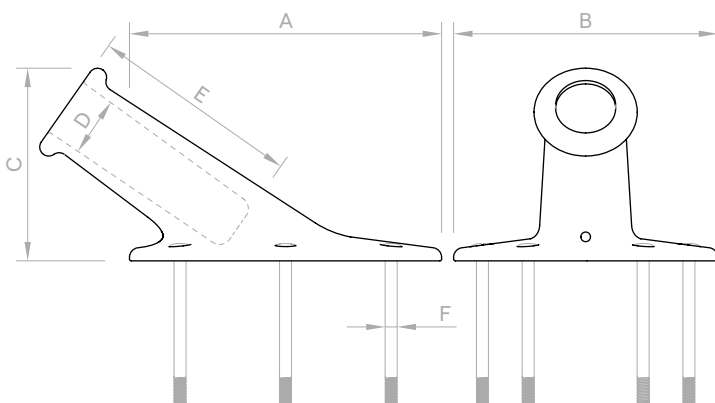
Part number	A mm	B mm	C mm	D Ø mm	E mm	F* M
D001	160	140	113	40	90	M8 (x6)

These are approximate measurements.

* The fixing bolts are not included, they can be supplied if requested.

Note: Images shown are indicative only.

50MM SOCKET



Materials: bronze (CuSn5Pb5Zn5);

Finishes: polished bronze or chrome plated;

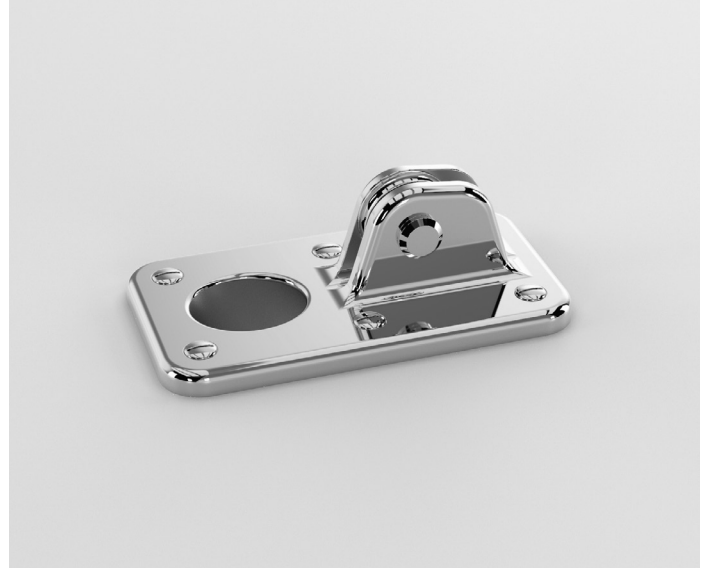
Part number	A mm	B mm	C mm	D Ø mm	E mm	F* M
D002	260	220	160	50	175	M10 (x6)

These are approximate measurements.

* The fixing bolts are not included, they can be supplied if requested.

Note: Images shown are indicative only.

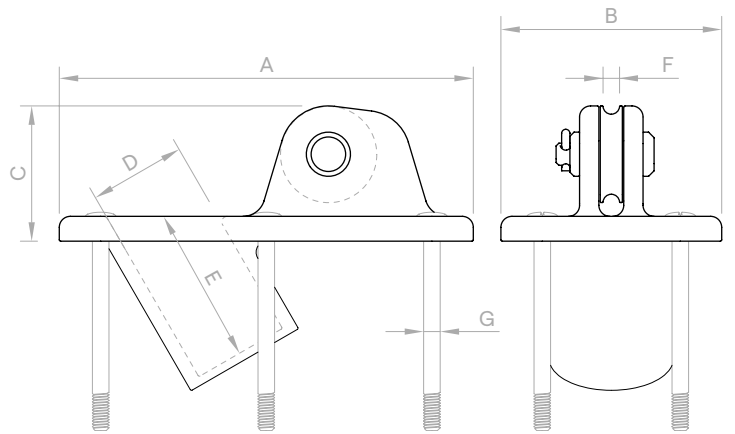
BACKSTAY & FLAG SOCKET



Combinated fitting for flag pole and backstay with a 35mm wheel.

Materials: bronze (CuSn5Pb5Zn5);

Finishes: polished bronze or chrome plated;



Part number	A mm	B mm	C mm	D Ø mm	E mm	F mm	G* M
F001	150	80	50	35	50	6	M6 (x6)

These are aproximate measurements.

* The fixing bolts are not included, they can be supplied if requested.

Note: Images shown are indicative only.

ABSOLUTE

Visit us at www.absolute-projects.com
contact@absolute-projects.com | 2021