

CAP RAIL FAIRLEADS CATALOGUE

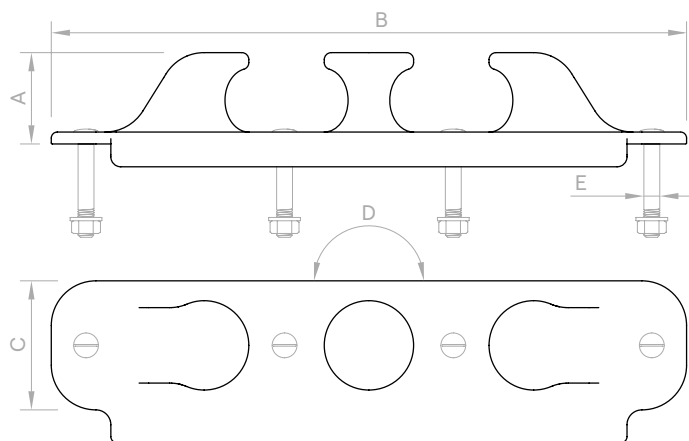
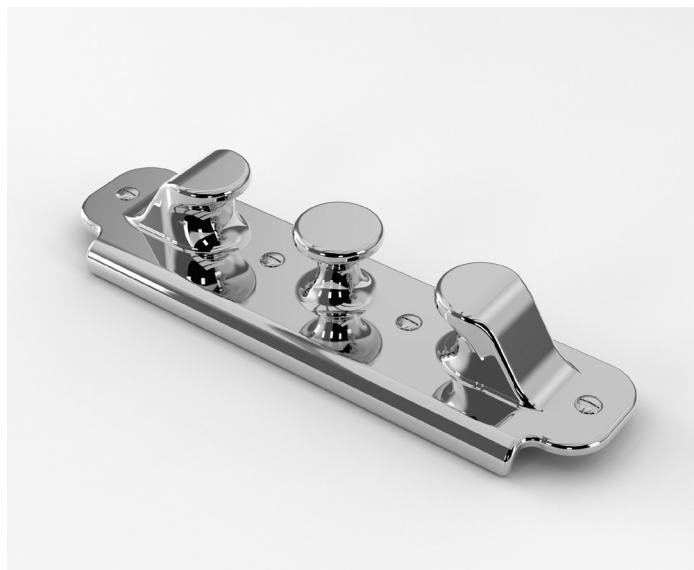
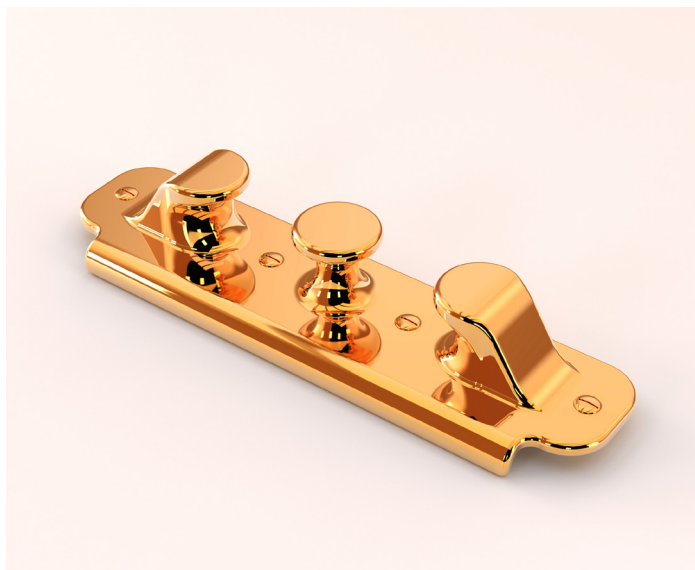
Schooners and Motor Yachts



Timeless winches & fittings

ABSOLUTE

CAP RAIL FAIRLEAD



Materials: bronze (CuAl10Ni);

Finishes: polished bronze or chrome plated;

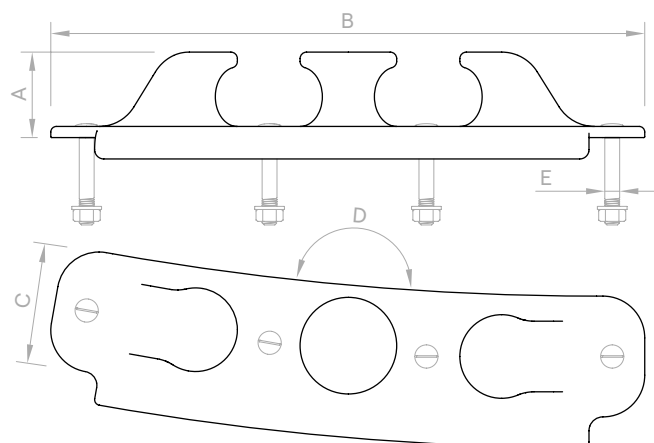
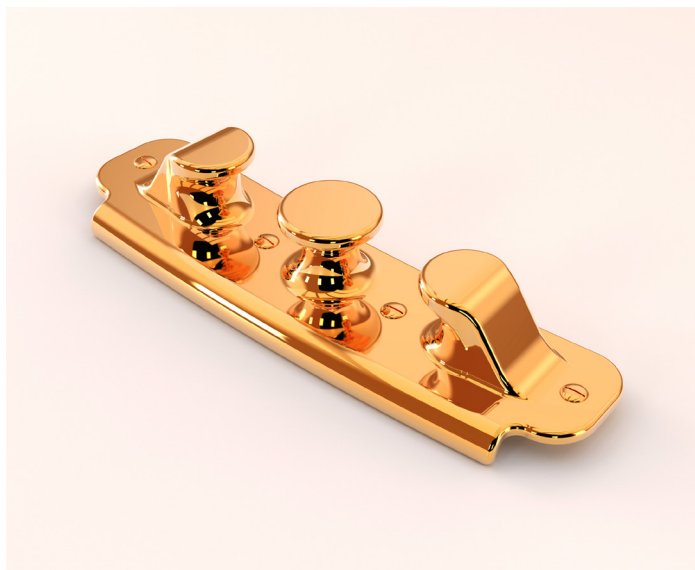
Part number	A mm	B mm	C Ø mm	D degrees	E* M
N001	69	480	98	180°	M12 (x4)
N002	92	640	130	180°	M16 (x4)

These are all approximate measurements.

* The fixing bolts are not included, they can be supplied if requested.

Note: Images shown are indicative only.

CAP RAIL FAIRLEAD



Materials: bronze (CuAl10Ni);

Finishes: polished bronze or chrome plated;

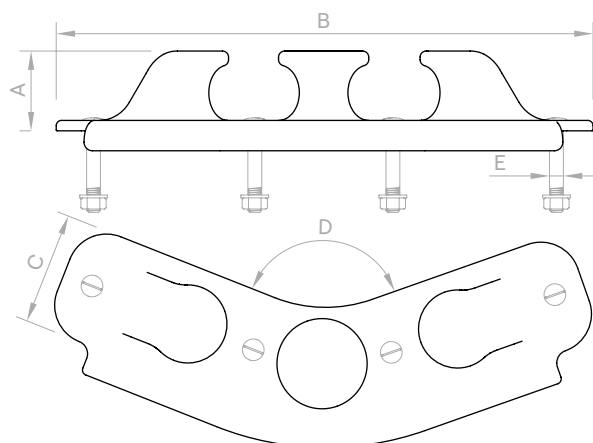
Part number	A mm	B mm	C Ø mm	D degrees	E* M
N003	90	500	90	170°	M12 (x4)

These are all approximate measurements.

* The fixing bolts are not included, they can be supplied if requested.

Note: Images shown are indicative only.

CAP RAIL FAIRLEAD



Materials: bronze (CuAl10Ni);

Finishes: polished bronze or chrome plated;

Part number	A mm	B mm	C Ø mm	D degrees	E* M
N004	92	610	130	140°	M16 (x4)

These are all approximate measurements.

* The fixing bolts are not included, they can be supplied if requested.

Note: Images shown are indicative only.

ABSOLUTE

Visit us at www.absolute-projects.com
contact@absolute-projects.com | 2021